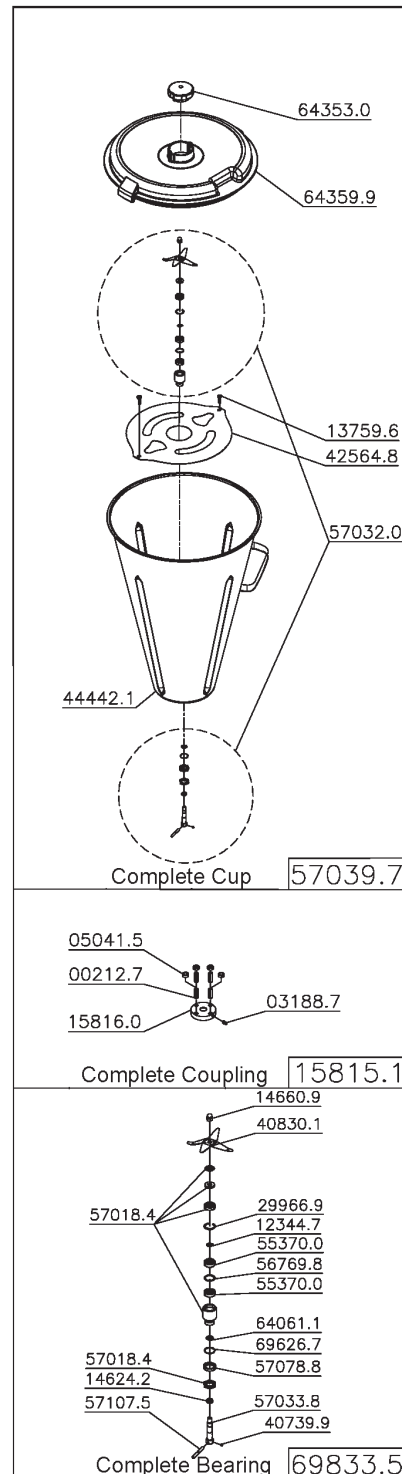
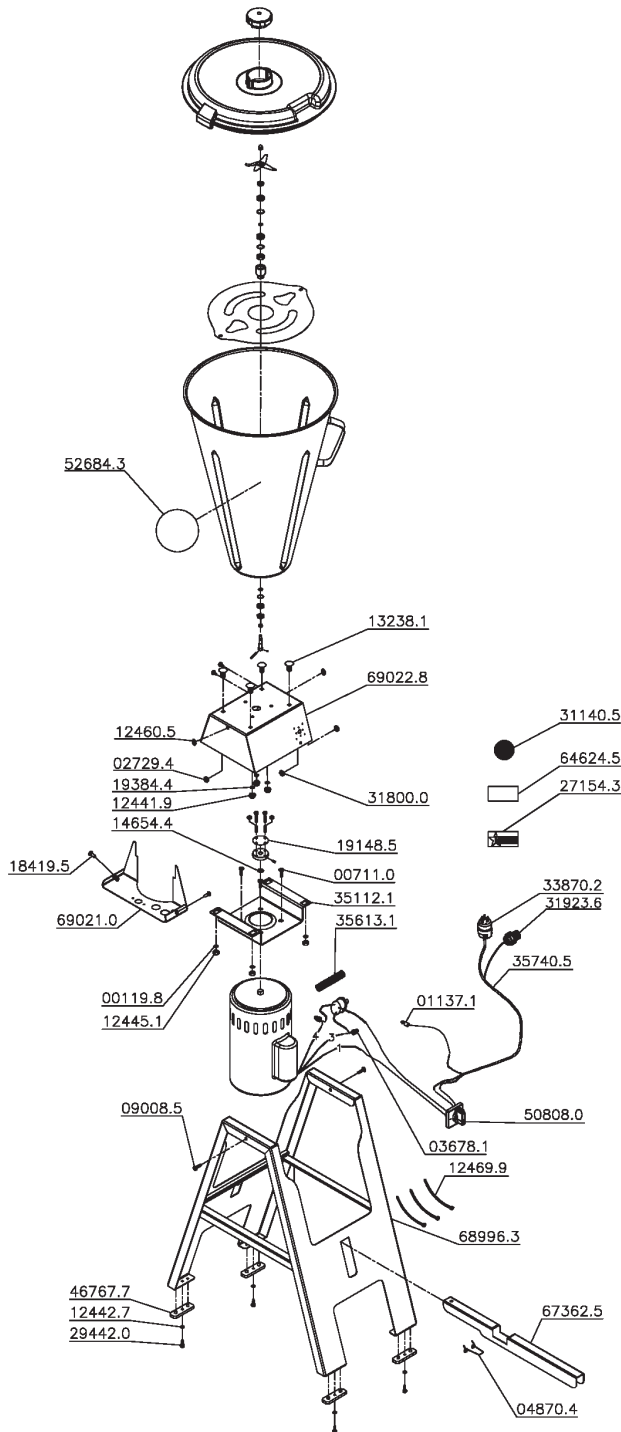


Parts Breakdown

Model **BL-BR-0025** 31502



Parts Breakdown

Model BL-BR-0025 31502

Item No.	Description	Position	Item No.	Description	Position	Item No.	Description	Position
30258	Washer L 5/16 ZB for 31502	00119.8	38308	Complete Clutch for 31502	15815.1	AP012	Label E/I Cup MB 145mm 25 for 31502	52684.3
38217	Elastic Pin 6x22 for 31502	00212.7	38222	Nut 10x1.25 for 31502	15816.0	AE682	Rolam.6001 DDU NSK/TK Di.12xDe.28xL.8 for 31502	55370.0
30324	Six Sided Screw UNC 3/8x7/8 RTZB for 31502	00711.0	AE674	PFS M6x16 Din 7985 Stainless for 31502	18419.5	AE684	Distancing Washer for 31502	56769.8
AE670	Term. Eyelet for 31502	01137.1	79041	Deflector for 31502	19148.5	AE685	PCA Sex Low M24x1.5 Stainless Steel for 31502	57018.4
38557	Screw Nut Din 934 ZB for 31502	02729.4	38341	Washer 1/4x5/8x1.2mm Stainless Steel for 31502	19384.4	AE686	Complete Cutting/Bearing Assembly for 31502	57032.0
27695	Allen Screw M6x8 for 31502	03188.7	27720	Omcan Logo (Machines) for 31502	27154.3	AE687	Central Axle for 31502	57033.8
27696	Nylon Cover CN 4478 for 31502	03678.1	38302	PFS Auto Broc 4.2x13 ZB for 31502	29442.0	AE705	Full Cup for 31502	57039.7
24023	The Spring Rocker for 31502	04870.4	AE676	Ring 28x1.2 Din 472 Fosf. for 31502	29966.9	AE689	Distancer for 31502	57078.8
38220	Distanc. Washer for 31502	05041.5	67038	Grounded Wire Label for 31502	31140.5	AE690	Guide Pin 6x50 Din 7 M6 w/Down for 31502	57107.5
38297	PFS M8x40 Din 933 ZB for 31502	09008.5	67039	Nut M4 Din 985 Stainless Steel for 31502	31800.0	AE694	Backing Ring for 31502	64061.1
AE672	Earring Ring 12x1 Din 471 for 31502	12344.7	27726	Cord Holder PG13.5 LC+P/9 for 31502	31923.6	AE695	MB Less Overhead for 31502	64353.0
16418	Nut N M6 Din 985 Stainless Steel for 31502	12441.9	AE678	American Plug Cert.20A 115V (4A255) for 31502	33870.2	AE708	Cover 25 (FE006-112) for 31502	64359.9
16419	Washer L.A6 4 125 Inox for 31502	12442.7	38288	Motor Support (Grey) for 31502	35112.1	AE698	Danger I / F for 31502	64624.5
16421	Screw Nut M8 934 Inox for 31502	12445.1	38289	Plastic Conduit for 31502	35613.1	AP009	Pedal (Grey) for 31502	67362.5
16423	Washer L.A8.4 Stainless Steel for 31502	12460.5	AE679	CB.3x3.3mm2 SJX2M Certif. for 31502	35740.5	AC966	Stand Grey for 31502	68996.3
30045	Bracer K22-LM(T-80I) for 31502	12469.9	38482	Screw M5x10 Din 84 Inox for 31502	40739.9	AE702	CS Closing Cabinet for 31502	69021.0
38086	Screw M8x16 Din 933 Stainless Steel for 31502	13238.1	27845	Blade CS Helice Type MB for 31502	40830.1	AE703	CS Tilting Support (Gray) for 31502	69022.8
67029	Screw M6x10 Din 933 Stainless Steel for 31502	13759.6	AC967	Cup Safety Device for 31502	42564.8	AP010	Oring Ring 30.31x25.07x2.62mm for 31502	69626.7
38274	V'Ring 16 5x10 5x5 5 for 31502	14624.2	AC968	CS Cup for 31502	44442.1	AE686	Complete Cutting/Bearing Assembly for 31502	69833.5
38295	Fiber Washer 20x13x0.7 for 31502	14654.4	38300	Rectangular Foot (Mol 483753) for 31502	46767.7			
38312	Nut 10x1.25 for 31502	14660.9	AN193	Rotary Disconnect Switch MSW 20 P2 for 31502	50808.0			